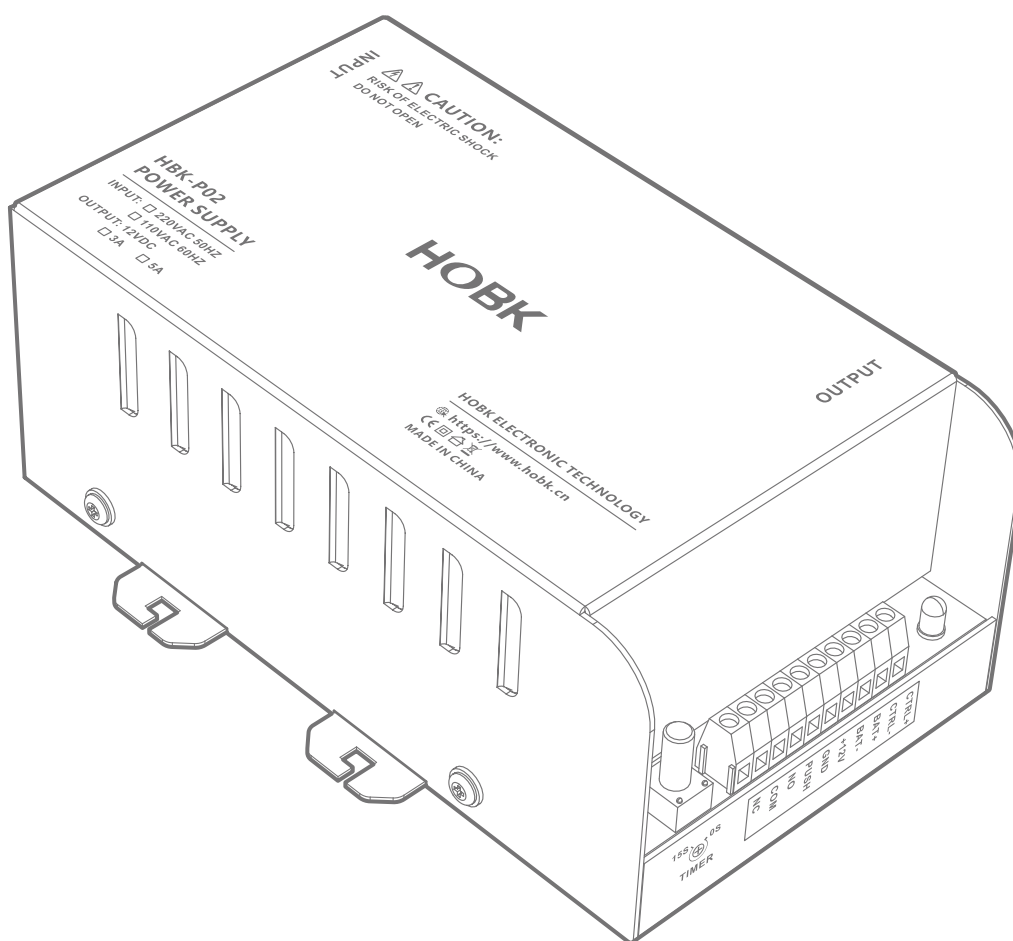


UHPPOTE

HBK-P02

POWER SUPPLY



USER MANUAL

PACKING LIST

Name	Quantity	Remarks
Power Supply	1	
Power Cord	1	
User Manual	1	English
Plastic Anchors	4	For screw
Self-Tapping Screw	4	For Fixing

INTRODUCTION

- HBK-P02 power supply by HOBK is dedicated to access control system, which is suitable for all kinds of access keypads and building intercom equipments, especially for all types of electric locks. It can control electric locks via the signal wire or other switch signal output of the access keypad, which reduce the loads of the access keypad so as to reduce the hidden dangers.
- With working voltage of 3A (or 5A), It can provide electric lock and access controller with 12VDC steady output voltage.

FEATURES

- Indoor use only.
- Low noise design with ripple as low as 85mVp-p.
- Compatible with electric lock, access controller, exit push button and intercom camera.
- Can reduce the load of access controller and saving wiring to reduce the hidden dangers.

- Time delay can be adjusted from 0 to 15 seconds.
- With backup battery link, can support to add external battery.
- Battery reverse protection: When the battery is connected reversely, the power supply will not be damaged. At this point, adjust the cathode and anode of the battery, and the power supply will recover in about 20 seconds.
- With lightning strike protection function.

SPECIFICATIONS

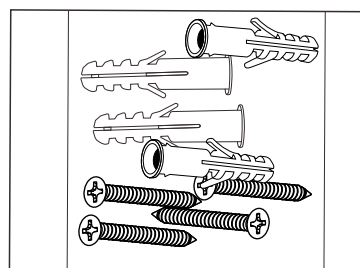
Input Voltage	110VAC/60Hz or 220VAC/50Hz
Output Voltage	12VDC
Output Current	3A or 5A
Time Delay	0-15s
Enclosure Material	SPCC
Finish	Spraying
Operating Humidity	10%-90%RH
Product Weight	4.41lb (5A) or 3.97lb (3A)
Operating Temperature	-4°F to +140°F (-20°C to +60°C)
Dimensions	7-33/64"x4-11/32"x2-15/16" [191x110.3x74.5mm]
Backup Battery Type	12V storage battery. Recommend 12V 7AH battery.

PACKAGE DETAILS

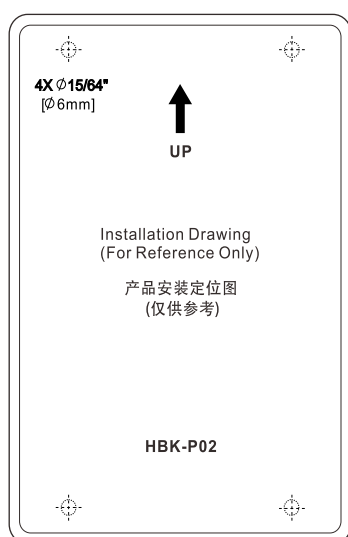
After opening the package, please make sure the device is in good condition and confirm below accessories are complete or not.



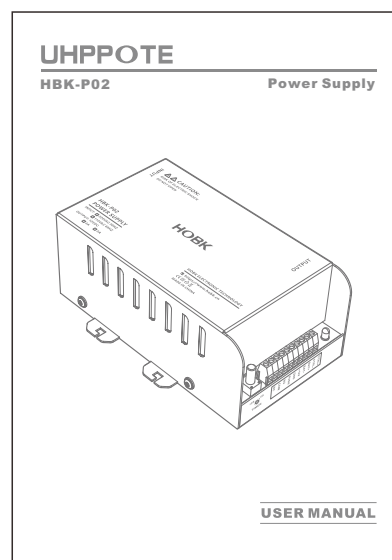
HBK-P02 x1



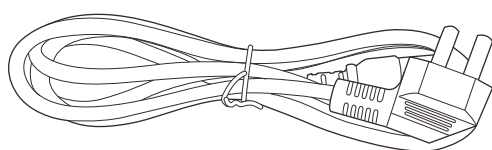
Accessories Package x1



Installation Drawing x1

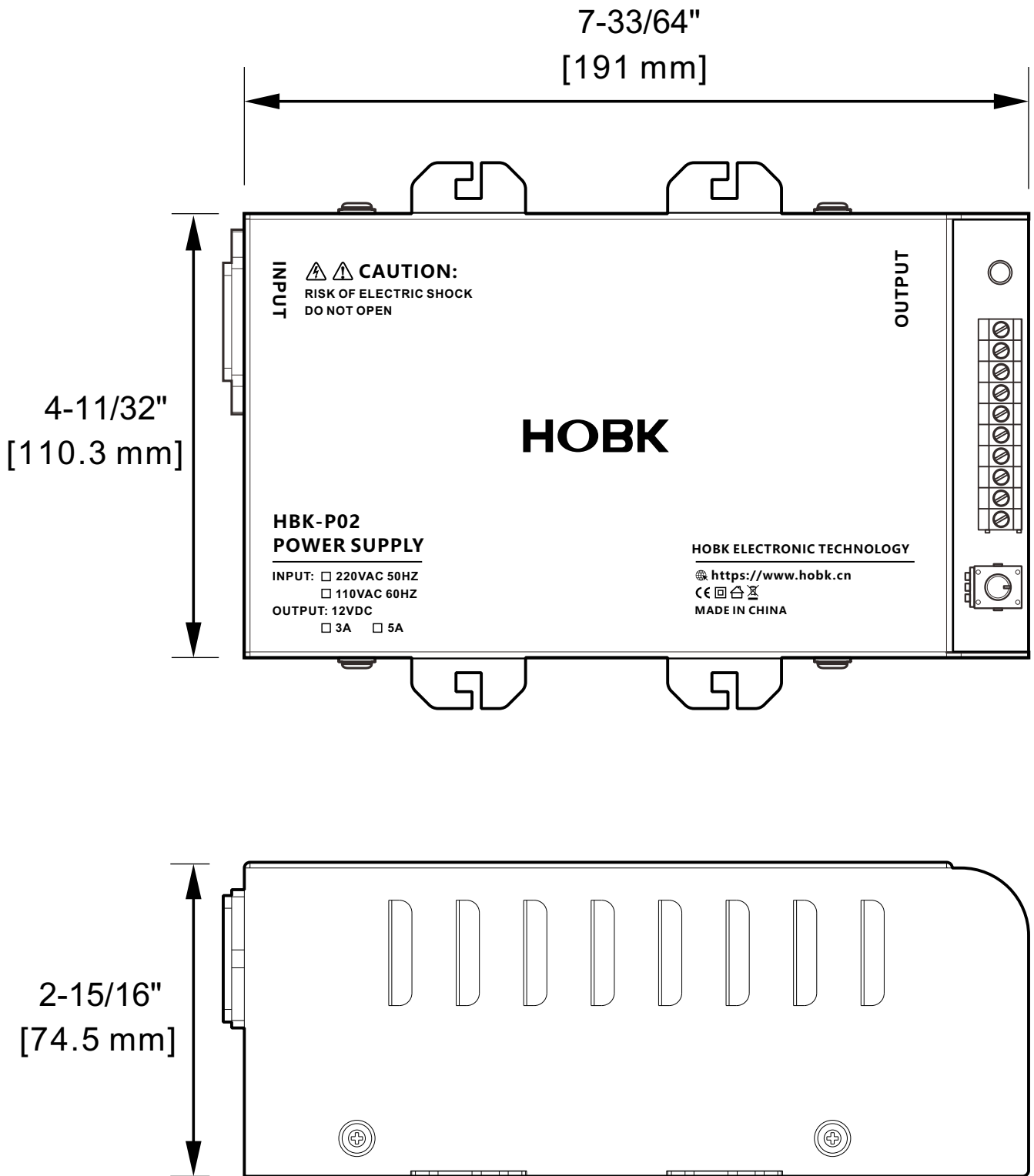


User Manual x1



Power Cord x1

DIMENSIONS



INSTALLATION

- Paste the installation drawing provided on the wall for easy drilling
- Drill 4 holes on the wall for the self-tapping screws
- Put the supplied plastic anchors into the 4 holes
- Fix the power supply firmly on the wall with 4 self-tapping screws

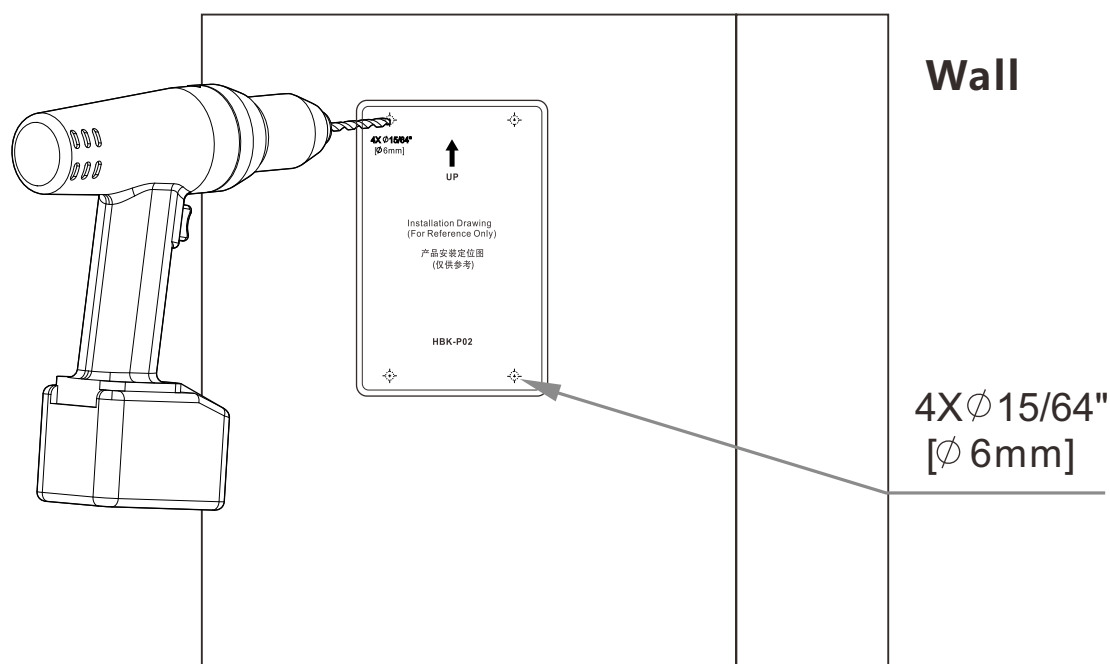


Figure 1 - Hole locations

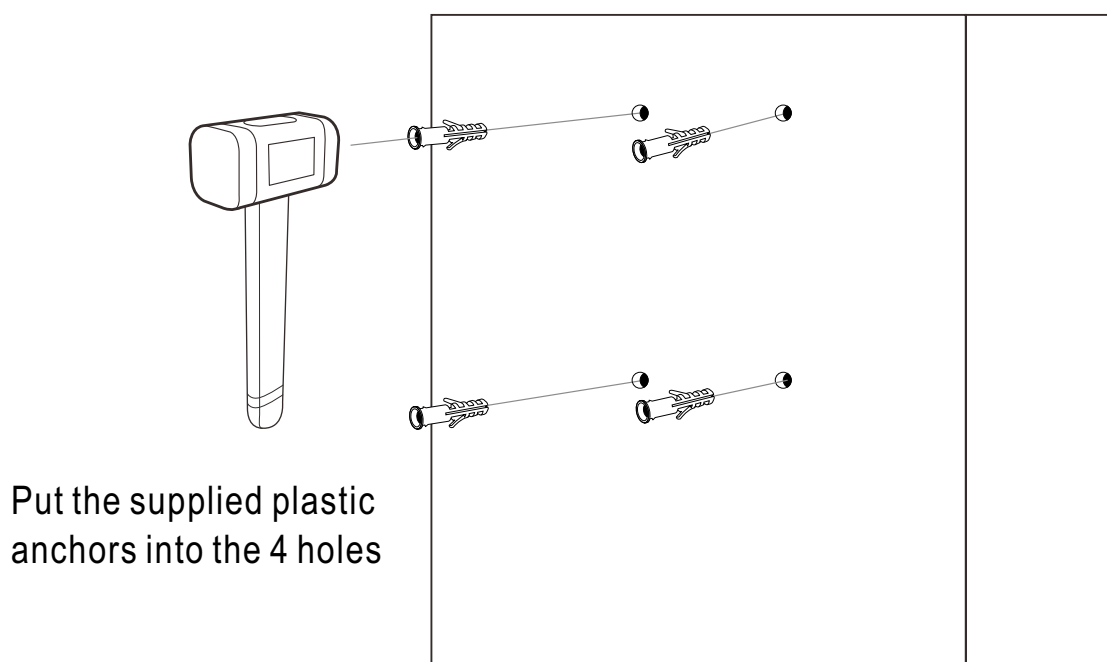


Figure 2 - Installation of plastic anchors

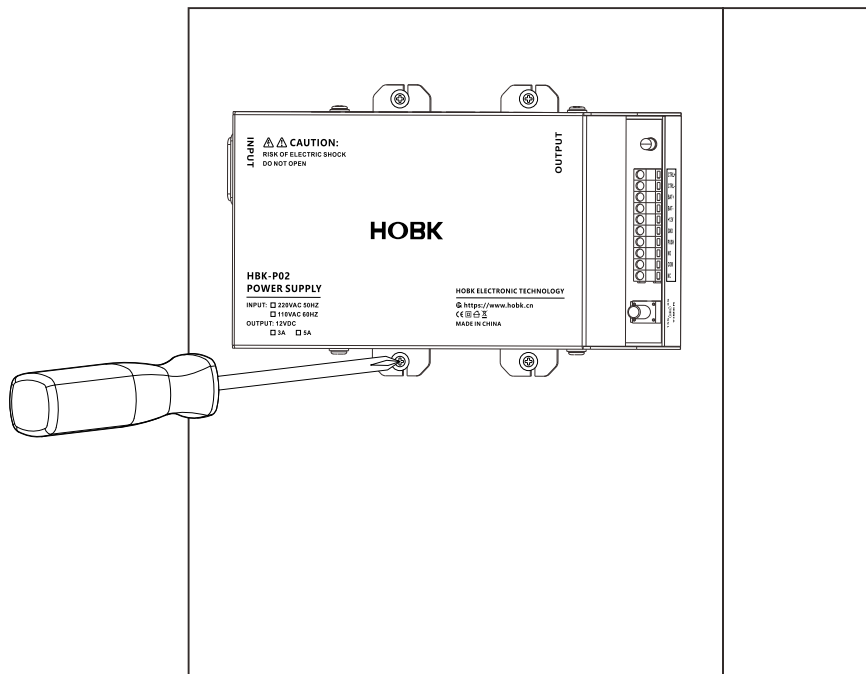
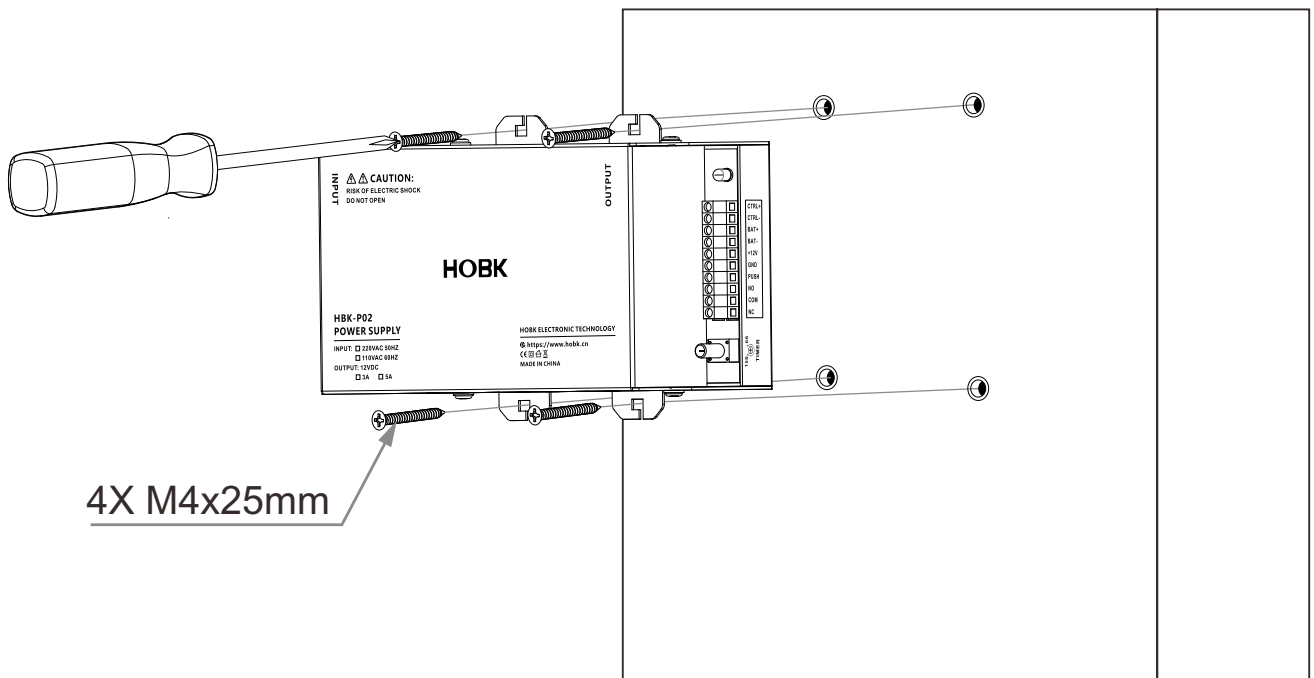
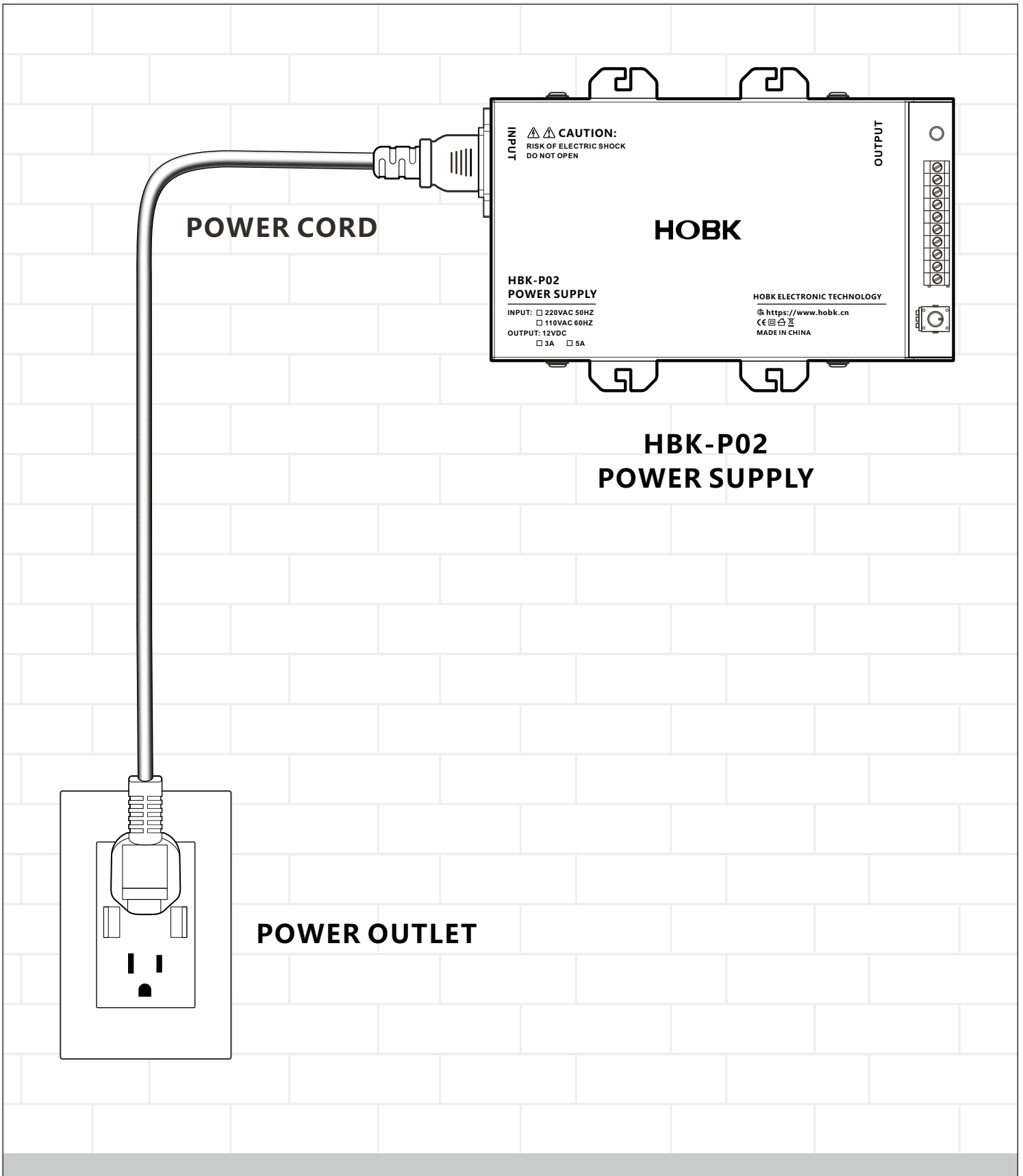
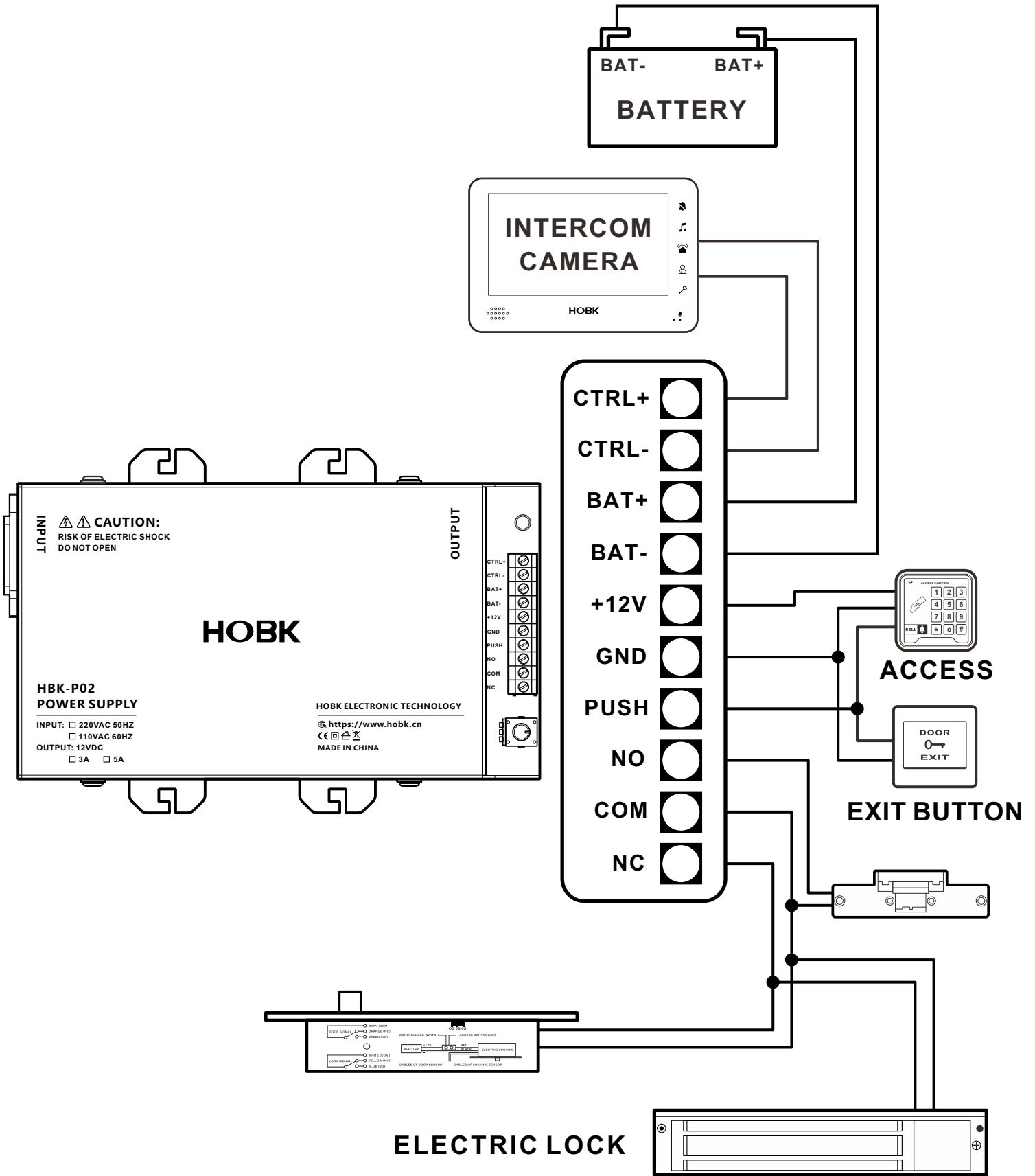


Figure 3 - Fixing the device with screws

INPUT WIRING DIAGRAM



OUTPUT WIRING DIAGRAM



UHPPOTE

© 2023 HOBK Electronic Technology Co., Ltd All rights reserved



>75% recycled paper

Produced By HOBK